

Before first use

Remove any adhesive stickers, plastic covers or cardboard sleeves from the soleplate. Ensure that all adhesive is removed by rubbing the soleplate with a cloth dampened with methylated spirits.

Fill the water tank and empty the water. This will rinse out any foreign particles remaining in the water tank from the manufacturing process.

NOTE: When turned on for the first time, your new iron may give off vapours for up to 10 minutes. This is due to the initial heating of the materials used. It is safe, not detrimental to the performance of the iron, and will not reoccur.

Filling the iron with water

Before filling the iron with water ensure the power is turned off and the plug is removed from the power outlet. The iron can be filled with water while it is hot.

1. Turn the STEAM/DRY dial to DRY.
2. Place the iron on its heel and hold it at a 45 degree angle. (Refer to figure 2 below). Open the water inlet cover.
3. Slowly pour water into the water inlet until the maximum water level is reached. Do not exceed the maximum water level indicator. Push the water inlet cover firmly to close.



Figure 2

NOTE: The special soleplate design allows you to use tap water with your Pro Steam II iron without affecting the steam performance. However in very hard water areas, Sunbeam recommend the use of distilled water, or water which has been demineralised.

For best performance, we recommend the use of Sunbeam Water Demineraliser, available from Sunbeam Service Centres and selected retailers. This will produce up to 30 litres of demineralised water.

Do not fill the iron with fabric conditioner, starches or any other solution as these will damage the steam mechanism. Do not use contaminated water.

Using your iron

1. Insert the 3 pin plug into a 230/240 volt power outlet and turn the power on.
2. Turn the temperature dial to the desired setting by aligning the setting on the dial with the temperature indicator. The thermostat light (positioned on the top of the handle) will illuminate to indicate that the iron is heating to the selected temperature. When the thermostat light goes out the iron has reached the selected temperature and is ready to iron.

NOTE: When the temperature dial is changed from a high setting to a lower temperature setting during ironing, the thermostat light will go out immediately. This indicates that the iron is cooling to the selected temperature. To ensure that the iron has reached the selected temperature and is not too hot, wait until the thermostat light comes on again and then goes out before ironing.

Dry ironing

- Follow steps 1 and 2 above.
3. Select DRY on the STEAM/DRY dial. This will cut off the steam flow if there is water in the tank.

Steam ironing

- Follow steps 1 and 2 above.
- NOTE:** When steam ironing, ensure that the temperature dial is set to any temperature within the steam band and that the tank is at least ¼ full of water.
3. Turn the STEAM/DRY dial to the desired steam setting.

Using the shot of steam

The shot of steam can be used whether DRY or STEAM ironing when the temperature dial is set to any temperature above the two dot (••) setting.

1. Ensure the tank is at least ¼ full of water.
2. Select the desired temperature and wait until the thermostat light goes out.
3. Press the shot of steam button several times with the iron on the soleplate to prime the pump.

After each use

1. Turn the STEAM/DRY dial to DRY.
2. Turn the power off and remove the plug from the power outlet.
3. Empty any remaining water from the water tank.
4. Allow the iron to cool before winding the cord around the built-in cord wrap.

Storage

Always store the iron on its heel rest.

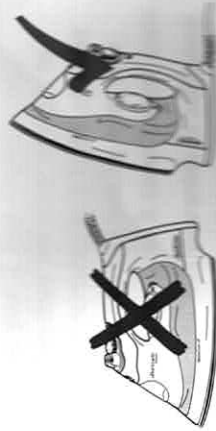


Figure 3

NOTE: Do not store the iron with the soleplate facing down, or in the carton.

Cleaning

To clean the exterior of your iron, wipe over with a damp soft cloth and wipe dry.

Caution: Do not use harsh abrasives, chemical cleaners or solvents to clean the exterior of your iron as these will damage the surface.

NOTE: If the tank has run dry, it may be necessary to re-prime the pump after filling the iron with water.

Using the spray mist

The spray mist can be used whether dry or steam ironing to pre-dampen hard to iron fabrics.

1. Ensure the tank is at least ¼ full of water.
2. Press the spray button during ironing to release a fine mist from the spray nozzle.

Cleaning the removable steam valve

To remove the steam valve, turn the STEAM/DRY dial to (•), so that the steam valve pops up. Gently scrub the tip of the valve with a steel wool soap pad moistened in warm water. Rinse and dry with a clean cloth. Replace the steam valve and turn clockwise to lock into position.

To clean the steam holes

To remove build up from the steam holes which may affect steam performance, use a cotton wool tip moistened in methylated spirits.

Cleaning the Teflon® Select non-stick soleplate (SR3200)

The non-stick coating reduces sticking of fabrics and starches to the soleplate. Do not iron over sharp objects such as buttons, studs and zippers, as these will scratch the surface.

Wipe the soleplate with a damp soft cloth after each use. If polyester has burnt to the soleplate, iron a damp cotton cloth while hot.

Caution: Do not use scouring pads, abrasives or harsh cleaners to clean your Teflon® Select non-stick soleplate, as these will scratch and damage the surface.

Cleaning the Polished Aluminium soleplate (SR3100)

Rub gently with a stainless steel soap pad moistened in warm water. Wipe dry.

Features of your Sunbeam Pro Steam II Iron

Powerful shot of steam

Pressing the shot of steam button instantly produces a powerful shot of steam to remove stubborn wrinkles.

Vertical shot of steam

Pressing the shot of steam button with the iron in an upright position produces a vertical shot of steam, which is ideal for steaming curtains and suits, and removing creases from delicate fabrics.

Variable steam

The steam dial allows you to select the desired steam output for each garment. Alternatively, select the DRY setting to iron without steam.

Removable steam valve

The steam valve is connected to the steam dial and is removable to allow for easy cleaning. Cleaning it regularly removes scale build-up that can affect its performance. For instructions on how to clean the steam valve see the Care and Cleaning section on page 7.

Water inlet cover

The water inlet allows for easy filling, without bubbling or spilling.

Full length button groove

For ironing around buttons.

Fine spray mist

Pressing the spray button provides a fine mist spray to dampen hard-to-iron fabrics.

Thermostat light

Illuminates to indicate that the iron is heating and goes out when it has reached the temperature selected on the temperature dial. The thermostat light cycles on and off during ironing as the iron maintains the selected temperature.

Long cord with swivel cord outlet

The swivel cord outlet is ideal for left or right hand use, and provides greater versatility and ease of movement when ironing. The flexible grommet protects the cord from fraying.

Temperature indicator

Align the desired setting with the temperature indicator.

Stable heel rest

Large heel rest keeps the iron stable on the ironing board.

Cord wrap facility

The built-in cord wrap facility allows you to wind the cord around the heel for neat and tidy storage of the cord when the iron is not in use.

Maximum water level indicator

Indicates the maximum water level.

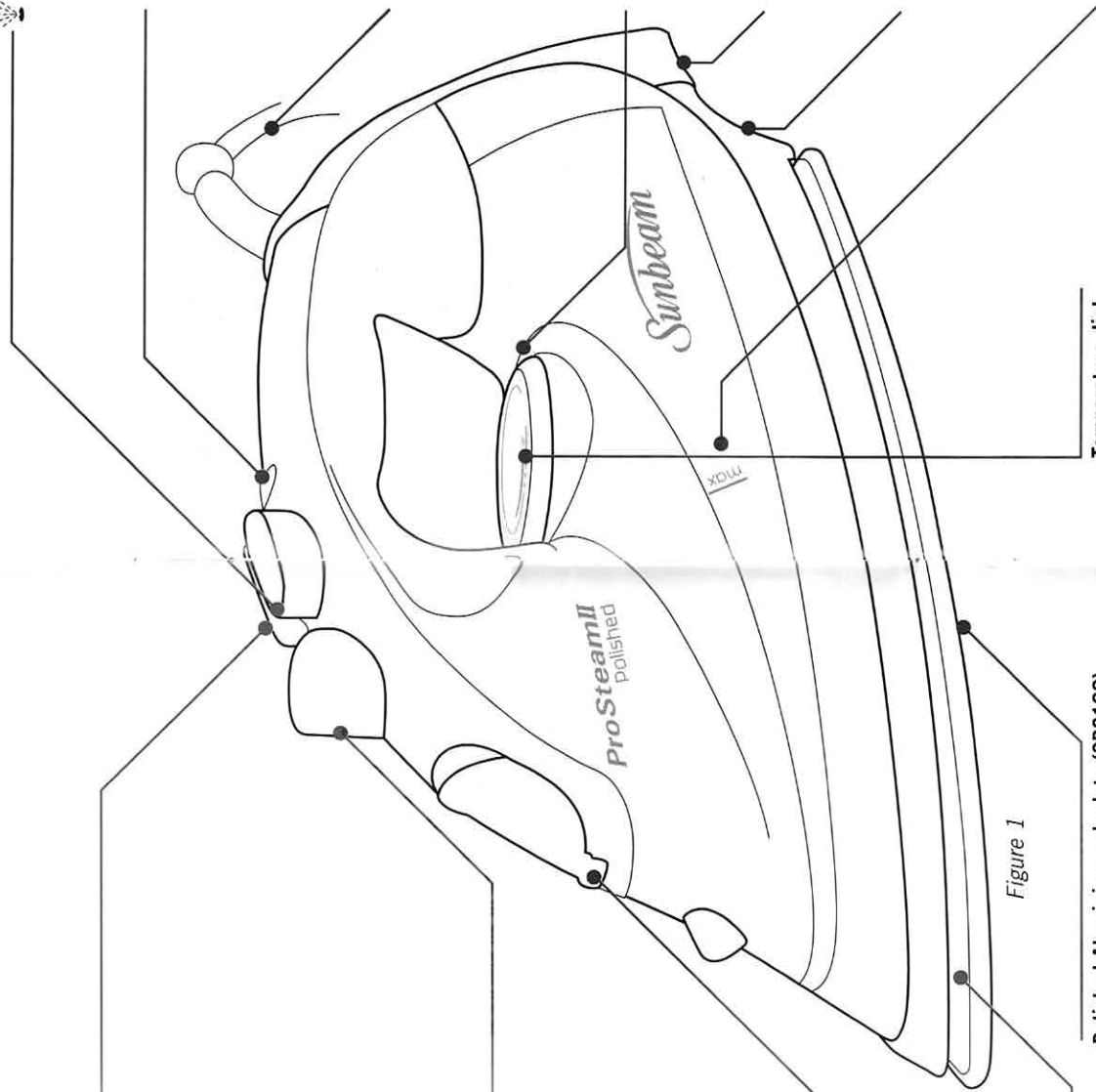


Figure 1

Temperature dial

Allows you to select the desired temperature for each garment. The adjustable temperature dial also indicates the amount of steam recommended for use on each temperature setting.

Polished Aluminium soleplate (SR3100)

Durable polished aluminium soleplate is hard-wearing and easy to clean.

Teflon® Select non-stick soleplate (SR3200)

Glides easily across all types of fabric and prevents sticking.